



INSTALLATION INSTRUCTIONS FOR PB-SA PUSH BUTTON SYSTEM ABORT

The information contained in this installation instruction is a quick reference guide. For detailed system information refer to the panel manufacturers’ installation manual. This instruction is generic and will not address specific programming procedures.

I. INSTALLATION NOTE:

This push button has been tested according to UL2017. It is important to read, understand and follow all instructions provided with this product. Non-fire alarm initiating devices are listed in UL category UEHX. It is the installer’s responsibility to comply with NFPA72 and 101, NEC, mounting specifications according to ADA and other applicable fire and electrical codes. To avoid electrical shock, DO NOT attempt to install this product when power is on. To avoid possible confusion with fire alarm initiating devices, do not mount a red stopper station near a manual fire alarm initiating device. ADA mounting compliance requires the operable part of the initiating device shall not be less than 1.1m (3 ½ ft.) or greater than 1.37m (4 ½ ft.) above finished floor service. After installation and testing are completed, provide a copy of this manual to all personnel responsible for testing and maintenance of this product.

II. SPECIFICATION & CONTENT LIST:

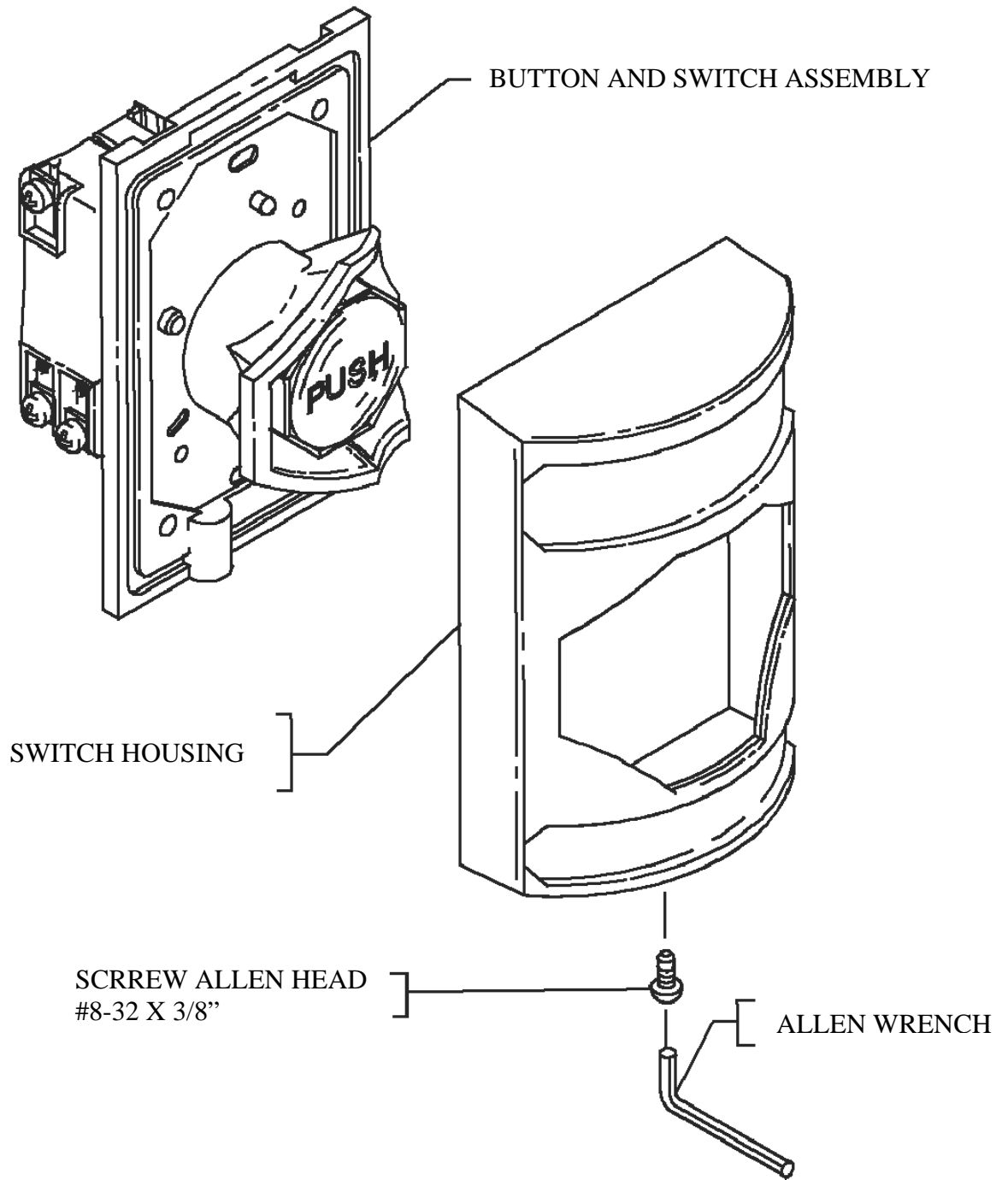
SPECIFICATIONS	
Switch Rating (2 Form C contacts)	3Amps @ 30VDC 10Amps @ 125/250 VAC, ½ HP 6Amps @ 30VDC
Dimensions	3.25"W X 4.87"H X 1.62"D (with back box included: 3.18"D)
Weight	Approximately 9.6 ounces

Contents List	
Quantity:	Descriptions:
1	Button and Switch Assembly
1	Reset Key
1	Allen Head Screw #8-32 x 3/8"
1	Allen Wrench 2/32"
4	Screw 3.5mm x 13mm
2	Screw #6-32 x 1"
1	Ground Screw
4	#6 x 1 ¼" SS SMS
4	Plastic Screw Anchor
1	Surface Backbox

III. INSTRUCTIONS:

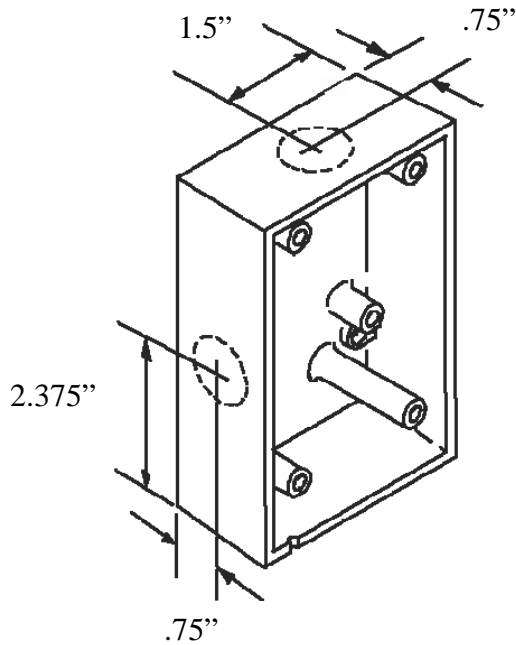
Housing Removal.....	Page 2
Backbox Preparation.....	Page 3
Wire Connections.....	Page 4
Installation.....	Page 5
Key Reset Procedure.....	Page 6
Product Dimensions.....	Page 7

Housing Removal

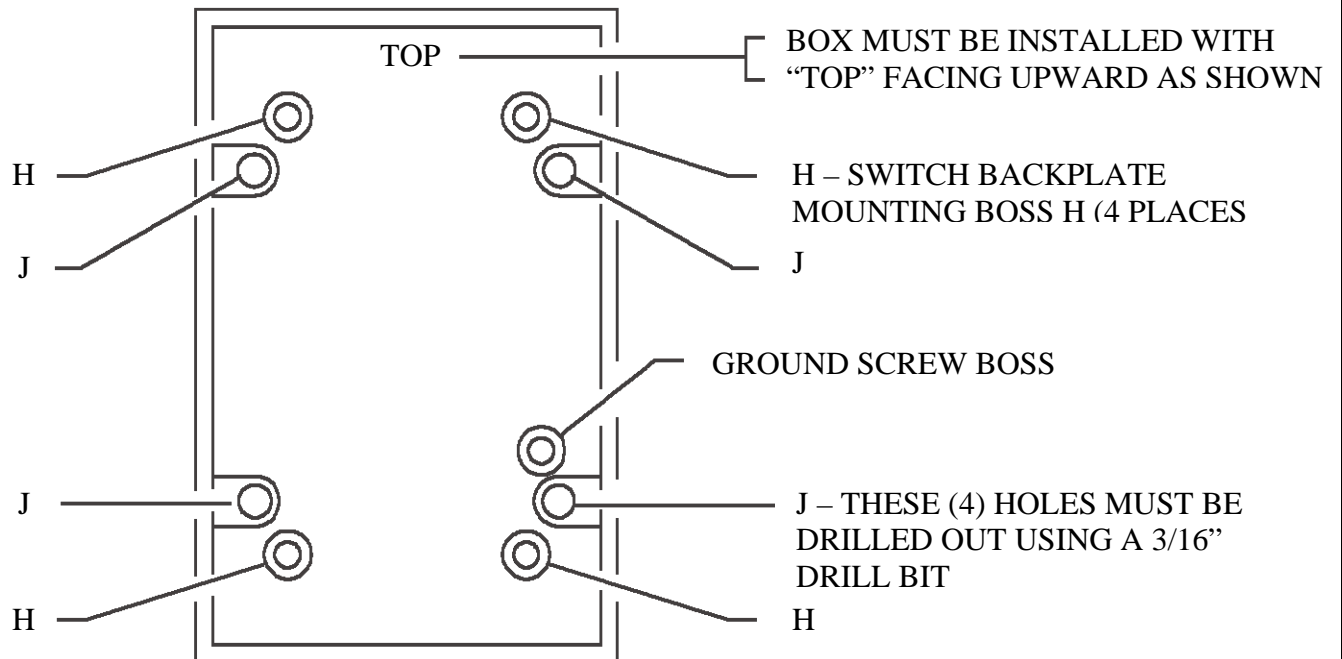


Remove screw. Pull bottom of housing out and lift up until tabs are released from slots in the button and switch assembly.

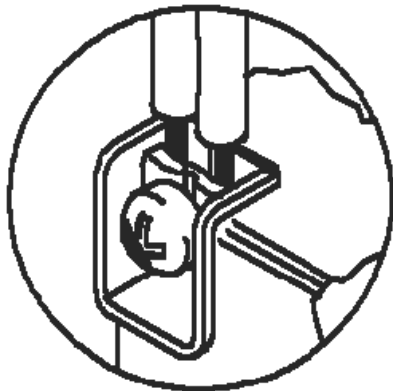
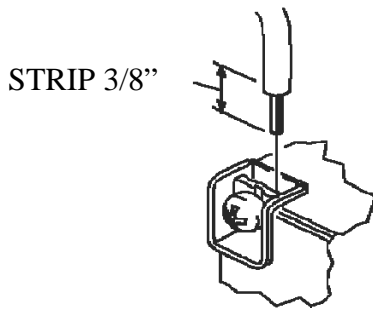
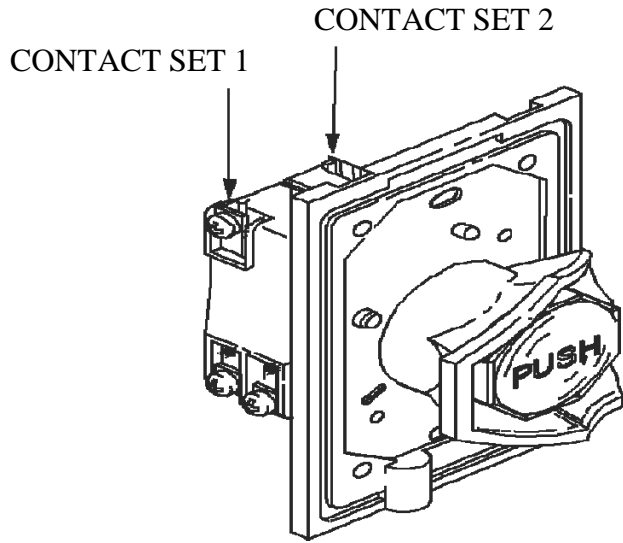
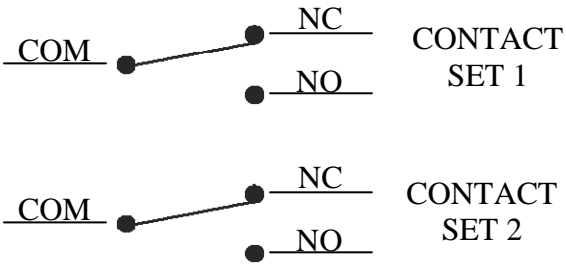
Backbox Preparation



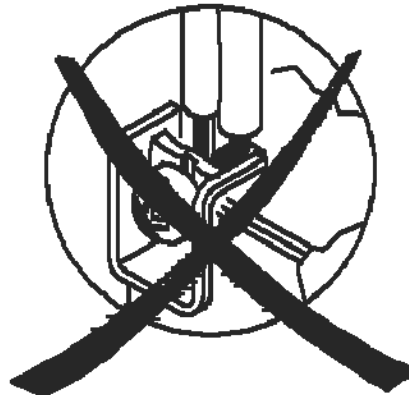
FIELD DRILLING FOR
CONDUIT ENTRY IS
REQUIRED. LOCATIONS
SHOWN ALSO APPLY TO
OPPOSITE, PARALLEL SIDE.



Wire Connections

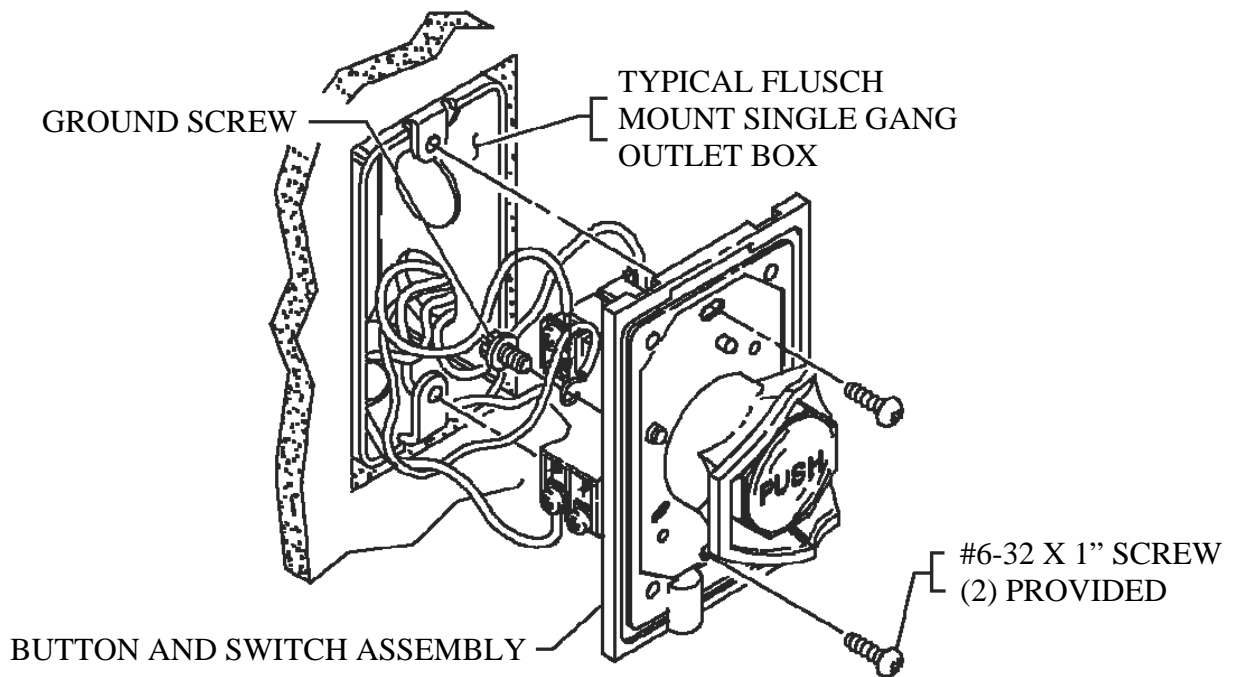
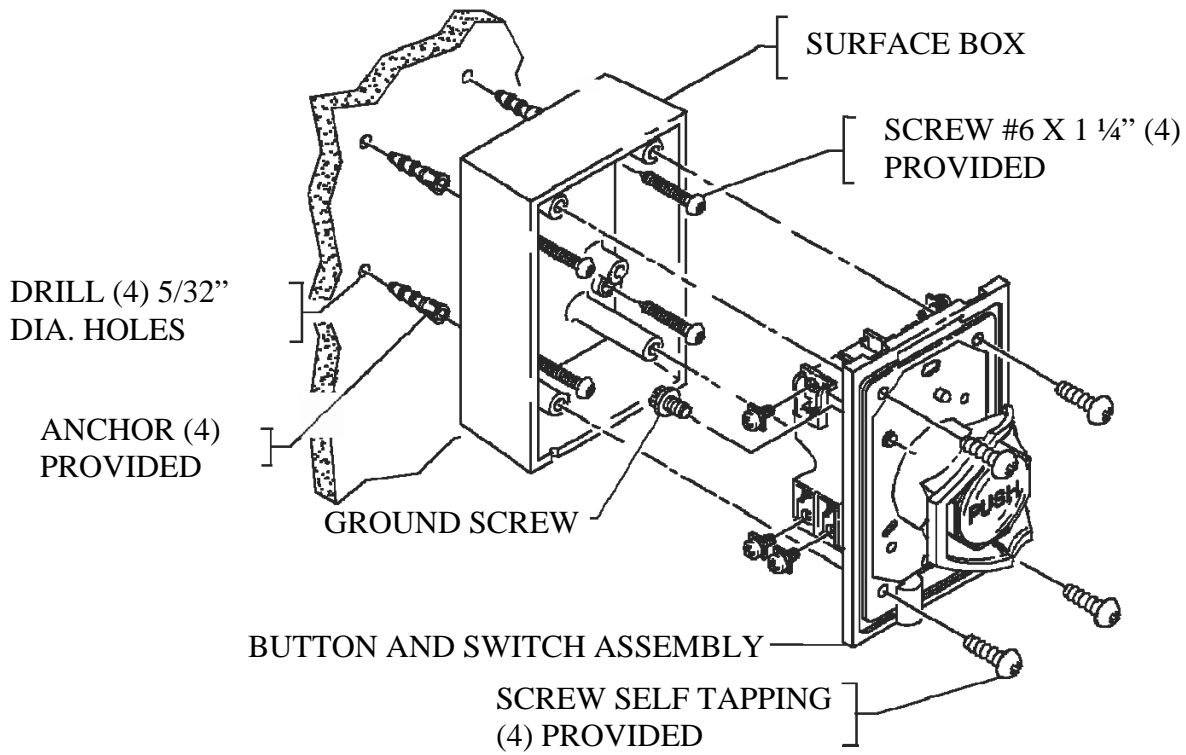


CORRECT METHOD OF
INSERTING MULTIPLE LEADS
(1 WIRE EACH SIDE OF SCREW)

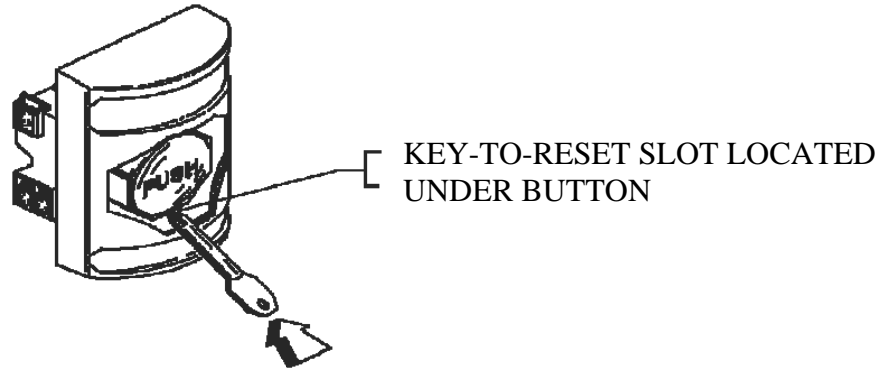


INCORRECT METHOD OF INSERTING
MULTIPLE LEADS (BOTH WIRE ON
ONE SIDE OF SCREW)

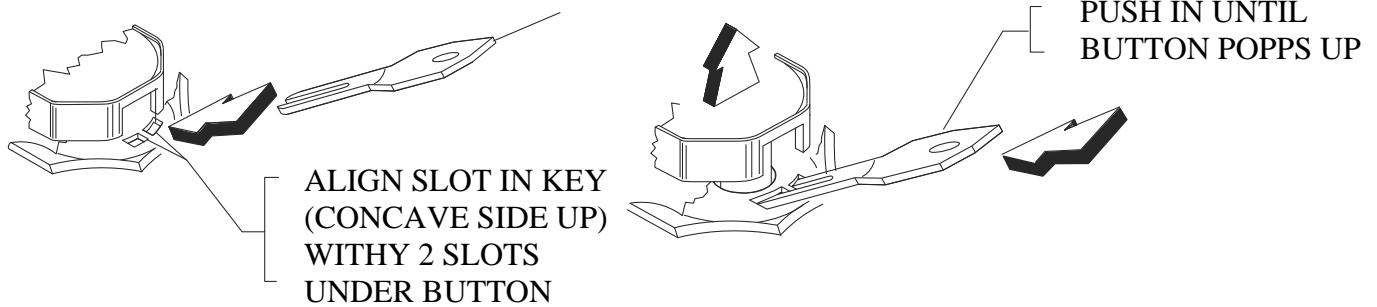
Installation



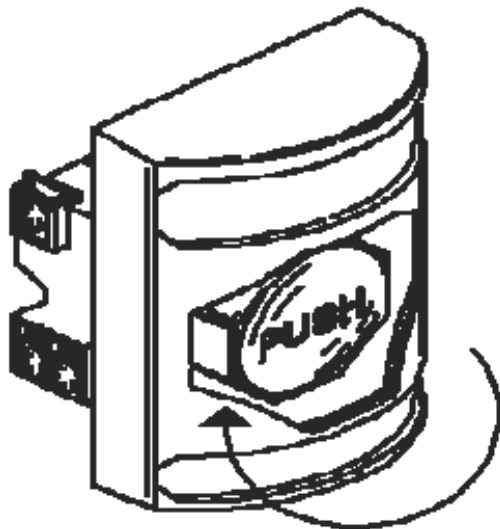
Key Reset Procedure



VIEW IN DIRECTION OF ARROW



TURN-TO-RESET PROCEDURE



TO RESET, TURN BUTTON IN DIRECTION OF ARROW UNTIL BUTTON POPPS UP

Dimension

INSTALLATION NOTE:

ADA mounting compliance requires the operable part of the initiating device shall not be less than 1.1m (3 ½ ft.) or greater than 1.37m (4 ½ ft.) above finished floor service

